



**nobāMEDI**  
NOBA Medical Technology

**NOBAMEDI Co., Ltd.**

#Na-209, SeonjinPonst, 58, Daeji-ro, Suji-gu, Yongin-si, Gyeonggi-do, 16873, Korea.  
+82-31-889-2181, Fax : +82-31-629-6393 E-mail : nobamedi@nobamedi.com

[www.nobamedi.com](http://www.nobamedi.com)

## *Crystal Care*

ADVANCED  
SKIN & SCALP CARE SOLUTIONS  
WITH CRYSTAL CARE SYSTEM



**nobāMEDI**  
NOBA Medical Technology

## NOBAMEDI Perfect Records

- The Korea first **34 gauge multi needle** producer
- Attained **needle patents**
  - 5-pin multi needle & 9-pin multi needle
- Attained **injection aids patents**
  - syringe mixing tube & needle stopper
- **Exports to 23 countries** for aesthetic devices and needles
- Awarded **Outstanding Beauty Product Suppler** in 2018
- Certified **CE, KGMP, ISO13485, ISO9001, ISO14001**
- **Approved by U.S. FDA** for Hycoox multi suction injector
- Certified **Product-Specific Approved Exporter** by Korean customs



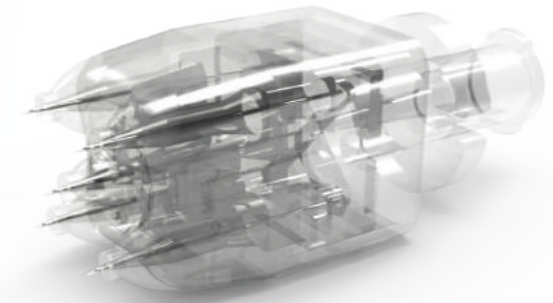
*Crystal Care*

NEEDLES  
INJECTORS  
MTS  
SEMI-PERMANENT  
STOPPER  
MIXING TUBE  
SOLUTIONS  
PIERCER

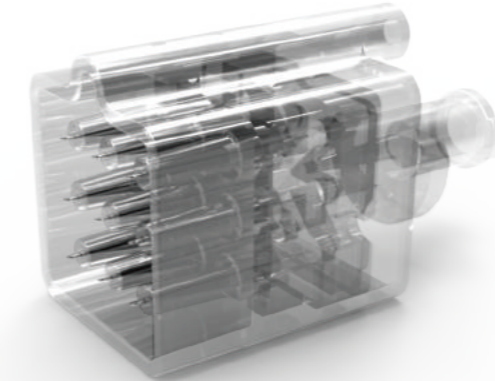
*'Crystal Care'*  
*all in one system*



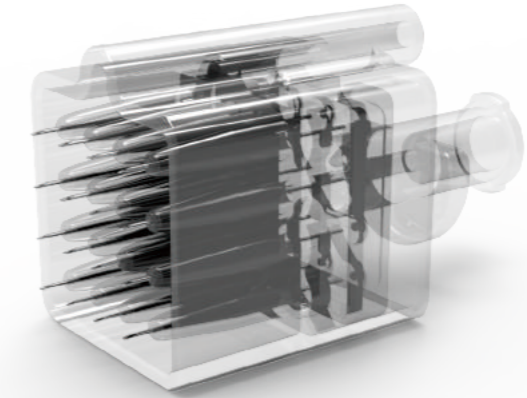
*Crystal Injector*



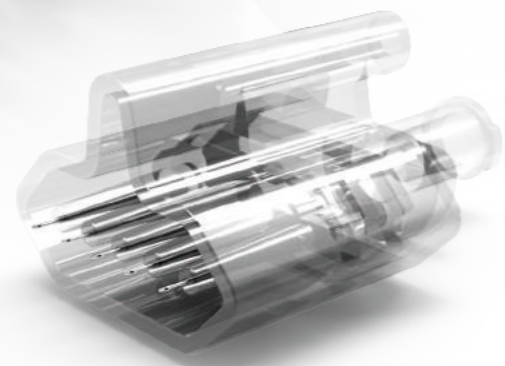
**5pin Multi Non-Suction Needle**



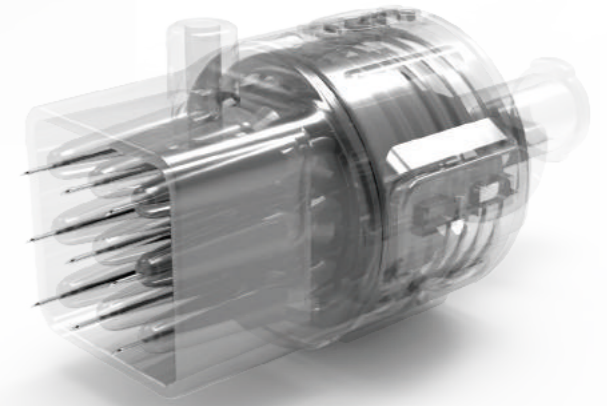
**9pin Multi Suction Needle**



**16pin Multi Suction Needle**



**5pin Flat  
Multi Suction Needle**



**9pin Screw  
Multi Suction Needle**



# Crystal Care\_Needles

## FINE & STERILIZED NEEDLE SERIES

### All kinds of Injection Needles

Non-suction needle  
Suction needle  
Adjustable needle

### Triple Cutting Technology

Less pain  
Less leakage

### Shorten Procedure Time

Procedure in 10 minutes  
5/9/16 injection per shot

### Korea First 34gauge needle

Extra Thin Wall(ETW) Technology  
Less needle marks

Needle	Gauge	Needle length(mm)	Procedure	Solution for the needle
5pin	32 & 34	1.2	Face	Non-crossed HA, Skin care solution
	32	1.5	Scalp	Crossed HA, Hair care solution
9pin	32 & 34	0.8	Face	Non-crossed HA, Skin care solution
	32	1.2	Face	Crossed HA
5pin (Flat)	32 & 34	0.8	Neck	Non-crossed HA, Skin care solution
	32	1.2	Neck	Crossed HA
16pin	32 & 34	0.8	Face	Non-crossed HA, Skin care solution
	32	1.2	Face	Crossed HA
9pin (Screw)	32 & 34	0.5mm ~ 3mm	Face	Non-crossed HA, Skin care solution
			Scalp	Crossed HA, Hair care solution

Manual injection  
with non-suction needle



Scalp procedure  
with injector and 5pin multi needle





# Crystal Care\_Injectors

- Cosmetic injector
- Hycoox Multi Suction Injector
- Crystal Meso

▪ Crystal Injector  
Non-Suction Injector



▪ Crystal MESO  
Cordless Multi-Suction Injector



▪ Hycoox Multi Suction Injector  
Multi-Suction Injector



# Crystal Care\_Injectors

Injectors  
Section2

## SOLUTION DELIVERY SYSTEM

### Auto-Sensing Injection

Inject solution automatically  
No need foot pedal or trigger  
Suction pressure control

### Solution Loss Prevention

Viscosity control  
Injection speed control

### Easy to set up & use

Wide display touch screen  
Auto memorization  
Hand-piece type

### Compatible with all kinds of needles

Non-suction needle  
Suction needle  
Adjustable needle





# Crystal Care\_MTS (Microneedle Therapy System)

## SOLUTION DELIVERY SYSTEM

### All in One System

MTS treatment  
Semi-permanent treatment

### Easy to Set up & Use

Wide touch display screen  
Auto memorization

### Advanced Hand-piece Design

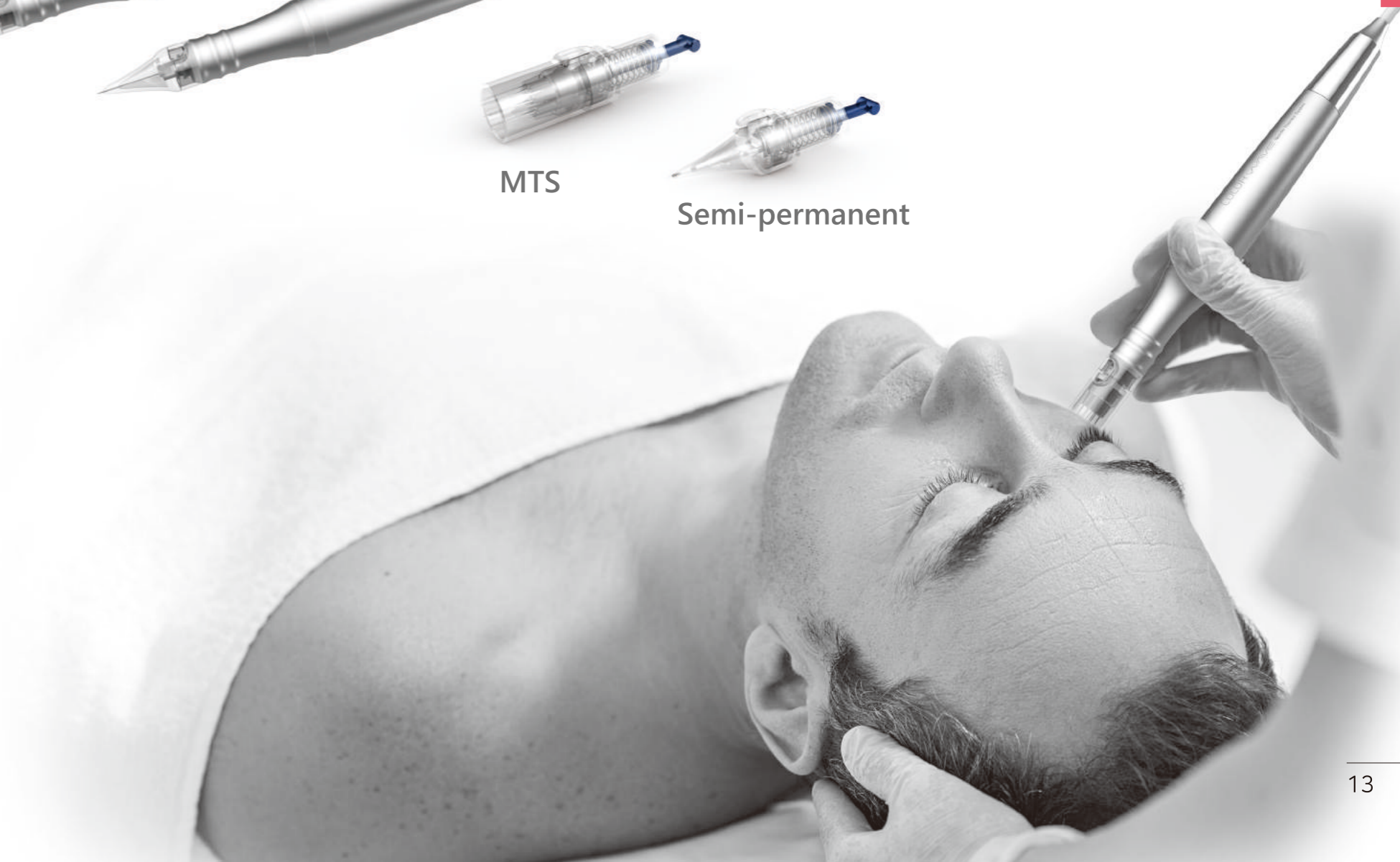
Comfortable grip feeling of hand-piece  
MTS & Semi-permanent procedures with the same hand-piece



**Crystal**  
**WAVE**  
Automatic MTS Machine



MTS  
Section





# Needle Stopper

Needle Length Adjustor **NS-40**

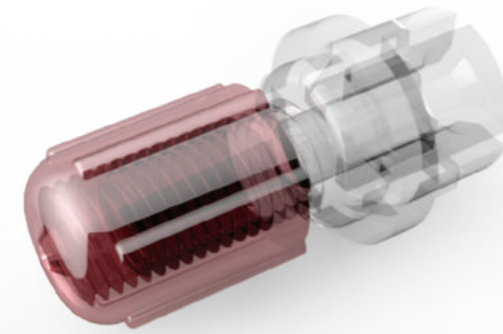
## CONVENIENT & SAFE TOOL FOR SINGLE PIN NEEDLE INJECTION

### Strong Points

- Accurate adjustment of a needle length
- Precise and safe procedure
- Convenience of procedure

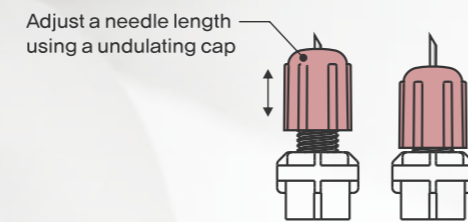
### Usable Needle

34G, 32G, 31G, 30G, 29G, 27G 1/2"



Adjustable Range

0 ~ 5.0mm



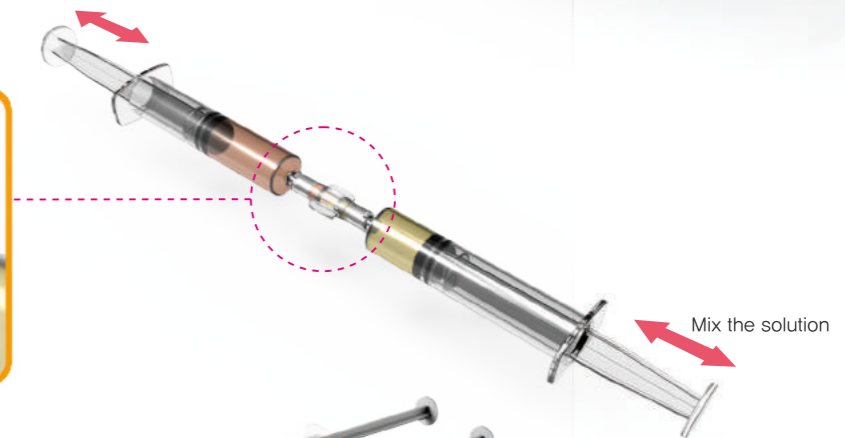
# Syringe Mixing Tube

Solution Mixing Connector **MT-SEM01**

## FAST & EASY COCKTAILING WITHOUT SOLUTION WASTE

### Mixing

Mix two different viscoelastic solutions together



### Subdivision

Subdivide the solution from the big syringe into the several small syringes



Tools  
Section

# Crystal Care\_Solutions

## HIGH QUALITY SOLUTIONS FOR SKIN & SCALP TREATMENTS

### ■ Skin Solutions

**FBMC60**  
Skin boosting multi cocktail with 60 ingredients

**CRYSTAL FILL\_NC15**  
Non-crossed hyaluronic acid

**CRYSTAL FILL\_AC09**  
Auto crossed hyaluronic acid

### ■ Scalp Solutions

**AHGC20**  
Hair growth solution with collagen and mannitol

### ■ After Care Solutions

**REPAIR SERUM**  
Cell repair formula ampule with collagen

**GPS MASK**  
Bio cellulose mask with niacinamide and panthenol

**UV PROTECTOR ESSENCE**  
Bio Professional UV sun screen essence with SPF 50+



### ■ Crystal Care Solutions\_3 STEPS

**STEP 1**  
Check the skin concern

**STEP 2**  
Apply the skin or Scalp solutions

**STEP 3**  
Apply the after care solutions when procedure is done



Solutions  
Section

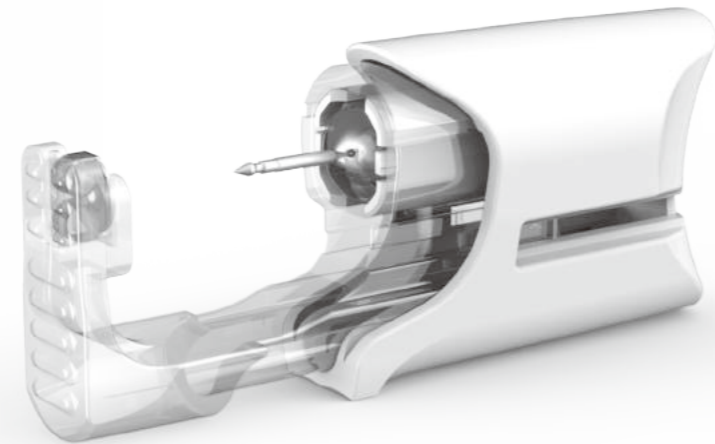


# Crystal Piercer



## FAST & SAFE PIERCING WITHOUT PAIN

- Single use packed in sterilization
- Harmless to humans made from Titanium
- Medical device



## Piercer Section



**For tongue and lips**  
 · Material : Titanium, Stainless steel (SUS304)  
 · Size : BALL-5 φ, BAR-1.2 φ



**For earlobe and cartilage**  
 · Material : Titanium, Stainless steel (SUS304)  
 · Size : BALL-4 φ, BAR-1.0 φ



Basic



Black



White



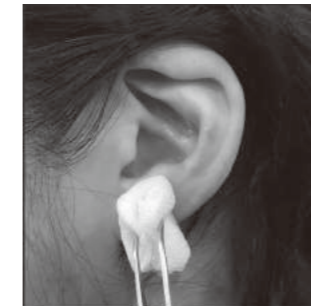
Red



Green



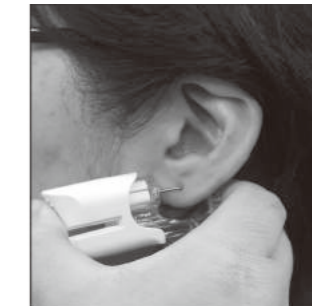
Blue



1. Disinfect a treatment area with alcohol. (Using anesthetic cream or ice on a treatment area may help reduce pain)



2. Mark the treatment position on the skin to be pierced.



3. Place a piercing needle on the marked position with thumb and index finger.



4. Place the Shimjian Safety Piercer at a right angle to the skin and press the Piercer quickly.



5. For clutch type, a ball and a clutch combined together with "clack" sound.



6. For ball type, fasten the needle with a ball



7. Apply antibiotic ointment with a sterilized swab.