



HEAD OFFICE 27, Seohae-daero 180beon-gil, Jung-gu, Incheon, Korea  
TEL 1899-3014(Rep.) / 032)578-6063 FAX 032)578-6065  
E-mail folzen@folzen.com www.folzen.com

F O L Z E N  
S M A R T  
F O L D I N G  
D O O R



# YOUR BUSINESS PARTNER

Thank you for choosing FOLZEN CO., LTD., a professional folding door manufacturer.

With advanced technologies and extensive knowhow which have been accumulated for years and expertise in folding doors, we have developed and distributed safe and comfortable folding door systems to meet all clients.

We develop and manufacture folding doors and distribute them to offices and stores across the country. All our employees keep making their best efforts to get closer to clients through complete construction, perfect follow-up and well-organized system.

We promise that we would keep working hard and stick to our initial resolution as the nation's best fold door maker.

We will be your best business partner, helping you prosper and flourish.



## Beginning of **NEW** FOLDING

### CONTENTS

History	04
Performances	05
Certificate / Patent	06
Insulation Certificate	07
Hardware	08
Product Name & Hardware	09
FZ-SF40 Window Type	10
FZ-SF50 General Type	12
FZ-SF57 Slim Lower Rail Type	14
FZ-SF60 High Load Type	16
FZ-SF65 Auto Body Shop Only	18
FZP-SF70 Insulated Folding	20
FIX (Fixed Door)	22
Wood Folding	23
FZ-SL50 Louver Folding	24
Spendor	25
Hinge Door	26
Mortise Lock Door	27
FZ-SD70 System Door	28
Current Door Frame-based Folding Door	30
Sliding Door	30
Turning Door / Asymmetric Door	31
Ramp	32
Sponsorship	33
Portfolio	34
Folding Type	37
Color Sample	38



# History

- 2014**
  - 2014 11 FOLZEN KOREA incorporated
  - 2014 11 Patented – Folding door handles
  - 2014 11 Patented – Folding doors with opening & shutting angle-adjustable gallery windows

---

- 2015**
  - 2015 07 Office building moved (Sinheung-dong 3-ga, Incheon)
  - 2015 07 System doors released

---

- 2016**
  - 2016 02 Patented – Folding door with integrated moving guide
  - 2016 03 Obtained Certificate of Design Registration – Folding door guide frame
  - 2016 07 Obtained Certificate of Design Registration – Door frame shape
  - 2016 07 Sponsored MBC TV series – ‘W’
  - 2016 08 Obtained Certificate of Design Registration – Door panel frame
  - 2016 08 Obtained Certificate of Design Registration – Door panel shape
  - 2016 09 Sponsored MBC TV series – ‘Shopping King Louis’
  - 2016 11 MBC TV series – ‘Weightlifting Fairy Kim Bok-ju’
  - 2016 11 Sponsored MBC TV series – ‘Night Light’

---

- 2017**
  - 2017 06 Type of business added – Wholesale & retail businesses
  - 2017 06 Increase in the number of material suppliers
  - 2017 07 Sliding doors and polyamide insulated folding doors developed
  - 2017 11 Sponsored tvN TV series – ‘Prison Playbook’

---

- 2018**
  - 2018 01 Sponsored MBC TV series – ‘Radio Romance’
  - 2018 01 Sliding doors developed and manufactured
  - 2018 01 Polyamide insulated folding doors developed and manufactured
  - 2018 02 Obtained Certificate of Design Registration – Door frame
  - 2018 02 Obtained Certificate of Design Registration – Door frame II
  - 2018 03 Sponsored KBS TV series – ‘Queen of Mystery, Season II’
  - 2018 03 Sponsored MBC TV series – ‘The Great Seducer’
  - 2018 03 Insulated Folding Door Test Results (Class 2)  
(24T insulated glass 1,400)
  - 2018 05 Participated in MBC Construction EXPO (Ilsan KINTEX)
  - 2018 10 Patented – Door frame connection device
  - 2018 11 Awarded ‘Incheon City Mayor’s Prize’ in startup business at I-STARTUP
  - 2018 12 Commendation from the Minister of SMEs and Startups [Venture Startup Promotion Reward]

# Performances



## Public facilities

Gyeyang Stadium (Incheon), Bupyeong Station, Jakjeon Station, Gyeyang Station, KORAIL, Seoul METRO

## Cafe

PASCUCCI, Twosome Place, GRIDAGGUM, EDIYA, SULBING, Paik's Coffee

## Food

HANAM PIG, MAPO GALMAEGI, MY THAI (Itaewon), Cheongchun Pocha, Gwangjang Pocha, MEKONG THAI, YEONEOSIDAE, Myth Jokbal, DONI BURGER

## Automobile

AUTO Q (KIA), SsangYong Motor, FM7, Blue Hands (Hyundai)

## Others

Hilton Hotels & Resorts, LOTTE WORLD, LOTTE HOTEL JEJU, KENSINGTON JEJU HOTEL, Seoul National University Hospital, Incheon National University, Sejong University Gunja Hall, Gapyeong Benest Golf Club



# Certification



Certificate of Business Registration    Certificate of Factory Registration    ISO



Certificate of Venture Business    Research Institute Certificate    Certificate of Design Registration – Folding Door Guide Frame    Certificate of Design Registration – Door Frame Shape    Certificate of Design Registration – Door Panel Shape    Certificate of Design Registration – Door Panel Shape



Certificate of Design Registration – Door Frame    Certificate of Design Registration – Door Frame    Certificate of Patent    Certificate of Patent    Certificate of Patent    Certificate of Patent



Test Results    Certificate of Design Registration    Certificate of Design Registration    Certificate of Design Registration    Certificate of Design Registration    Certificate of Design Registration



Certificate of Design Registration    Certificate of Design Registration    Certificate of Design Registration    Certificate of Design Registration    Certificate of Design Registration    Certificate of Design Registration

## Insulated Folding Door Test Results



**TEST REPORT**

1. NO : EC17-00293\_M1

2. Client  
 Name : FOLZEN KOREA INC.  
 Address : 27, Seohae-daero 180 beon-gil, Jung-gu, Incheon, Republic of Korea

3. Date of Test : 2017.06.30 ~ 2018.10.01

4. Use of Report : For Regulation on Energy Efficiency Labeling

5. Test Sample : FZ-SF70A

6. Test Method  
 (1) Ministry of Knowledge Economy Korea Energy Management Corporation 2018-183

7. Test Results

1) FZ-S070

Test Item(s)	Unit	Test Method	Test Results	Remark
√Thermal transmittance	W/m²·K	(1)	1.400	(20.3 ± 5) °C (54 ± 15) % R.H.
√Air-leakage – Infiltration rate (Grade)	m³/(h·m²)	(1)	0.17 (Grade 1)	(21.1 ± 1.5) °C (60 ± 5) % R.H.

The checked test property with the mark of "√" is the recognized test property by the KOLAS.

◎ Test specimen composite – 1)Frame material : Aluminium, 2) Composition of Glasses(24mm) Low-e5(soft, KCC)+Ar14+Low-e5(soft, KCC), 3)Spacer material:Thermal spacer

◎ 7-1) Summary of result, 7-2) Test Results of Thermal Transmittance, 7-3) Test Results of Air Leakage, 7-4) Specimen Drawings, 7-5) Specimen Photos

Reissuance(R1)  
Date : 2018.11.19

Modification(M1)  
Date : 2018.10.11

Affirmation    Tested By Name : *Yoon Kap Seok*    Technical Manager Name : Lee In Woo

Our report apply only to the standards or procedures identified and to the sample(s) tested unless otherwise specified. The test results are not indicative of representative of the qualities of the lot from which the sample was taken or of apparently identical or similar products.

The above test certificate is the accredited test results by Korea Laboratory Accreditation Scheme, which signed the ILAC-MRA.

2018.10.01

**Korea Conformity Laboratories**    President Yoon Kap Seok *Yoon, KapSeok*

Accredited by KOLAS, Republic of KOREA

Address : 21591 85,Dambang-ro,Namdong-gu,Incheon,Korea 82-32-460-5100  
 Result Inquiry : Incheon & Gyeonggi Branch 82-32-460-5133

Page 1 of 6    QP-20-01-03(5)

**24T Insulated glass applied**

- Air tightness : **Class 1**
- Heat transmittance : **1.400**

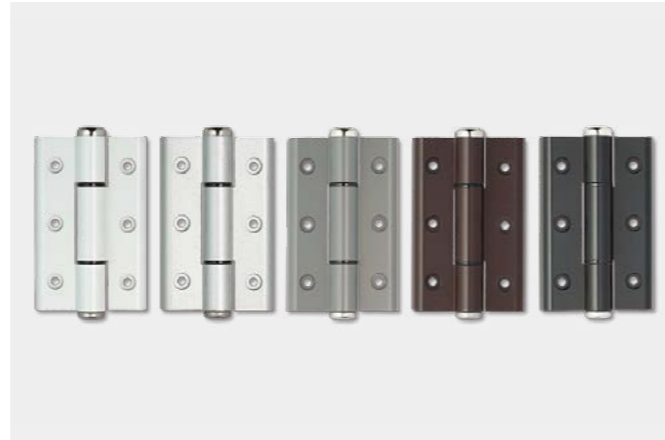


# Hardware

Base color (5 types)



A very durable and unbreakable patented product which does not need an assistant handle



Very solid and durable made of high-strength aluminum (AL.6N01) alloy; easily opened/shut with roulette shaft



An anti-finger-trap double gasket-applied product with great sealing force



A SUS bearing roller type made of high-strength aluminum (AL.6N01) alloy; easily opened/shut through the rail



Designed to reduce damage and wear rates made of high-strength aluminum (AL.6N01) alloy; smoothly opened/shut, playing a role of the lower runner and guide



Lower rail suitable to housing facilities; rails unburied under the floor

# Product Name & Hardware







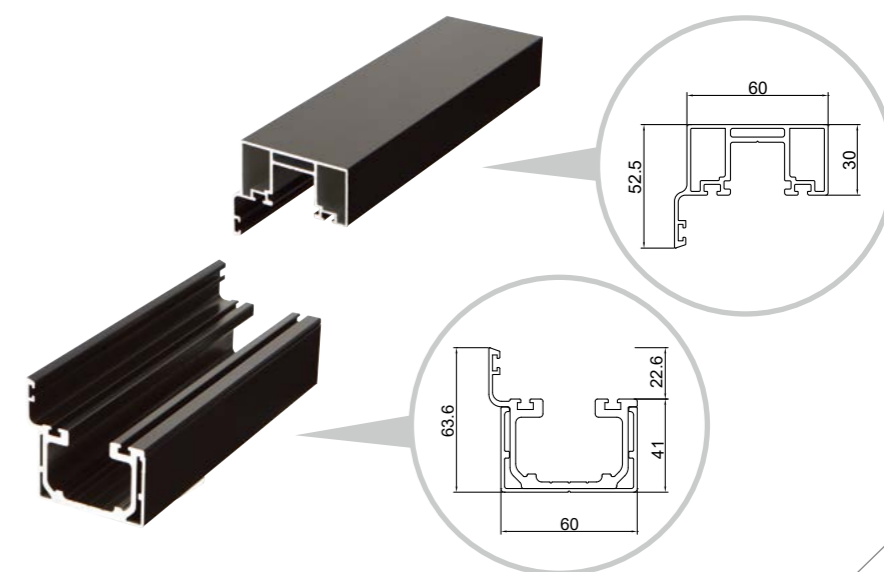
# Window Type

F Z - S F 4 0

An exterior folding window; window-type lower rails, not regular lower rails, applied  
Keeps wind and rainwater from penetrating through the frame (applied to places where people cannot come in or go out)

Model	Indoor / outdoor
Frame material	(AL.6N01) profile
Installation space	Max. door width – 800mm, max. door height – 3000mm
Maximum number of panels	30 (right, left: 15 panels each)
Glass size	5mm, 8mm, 10mm, 12mm, 16mm, 22mm, 24mm
Glass type	Tempered glass, transparent glass, insulated glass, etc.
Coating	Fluororesin coating (black, white, chocolate, silver, gray, others)
Effects	Windproof, soundproof, anti-dew, anti-leakage
Hardware	Upper/lower track runner, standard smart handle, simultaneous upper and lower tightening

Window Type Upper/Lower Rail Profile Image and Detailed View







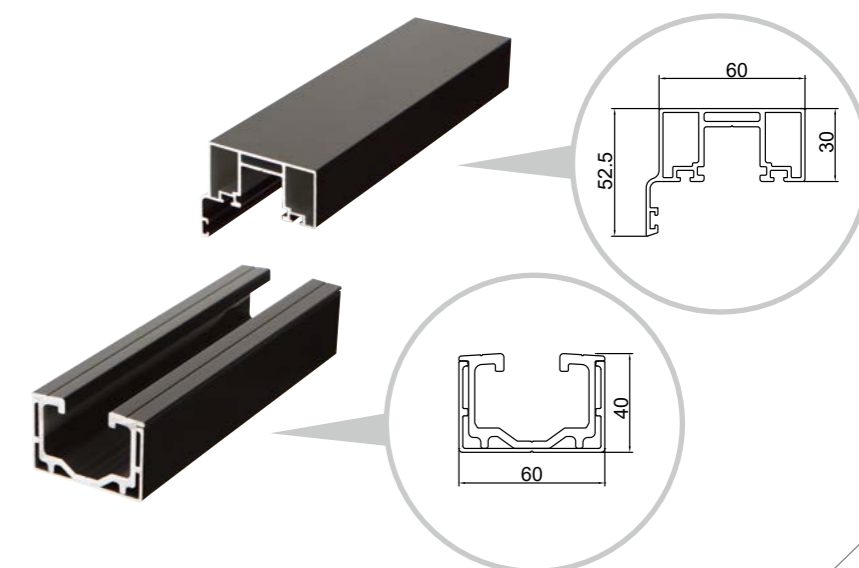
# General Type

F Z - S F 5 0

A basic type of smart luxury/smart folding series; made up for the weakness of folding doors through continued studies and a lot of investments based on extensive knowhow and technologies  
Connecting rod-assembly type, not conventional piece-assembly type; solid and durable  
Easy construction and reduced installation time with the use of track-connecting rod at frame installation

Model	Indoor / outdoor
Frame material	Aluminum (AL.6N01) profile
Installation space	Max. door width - 800mm, max. door height - 3000mm
Maximum number of panels	30 (right, left: 15 panels each)
Glass size	5mm, 8mm, 10mm, 12mm, 16mm, 22mm, 24mm
Glass type	Tempered glass, transparent glass, insulated glass, etc.
Coating	Fluororesin coating (black, white, chocolate, silver, gray, others)
Effects	Windproof, soundproof, anti-dew, anti-leakage
Hardware	Upper/lower track runner, standard smart handle, simultaneous upper and lower tightening

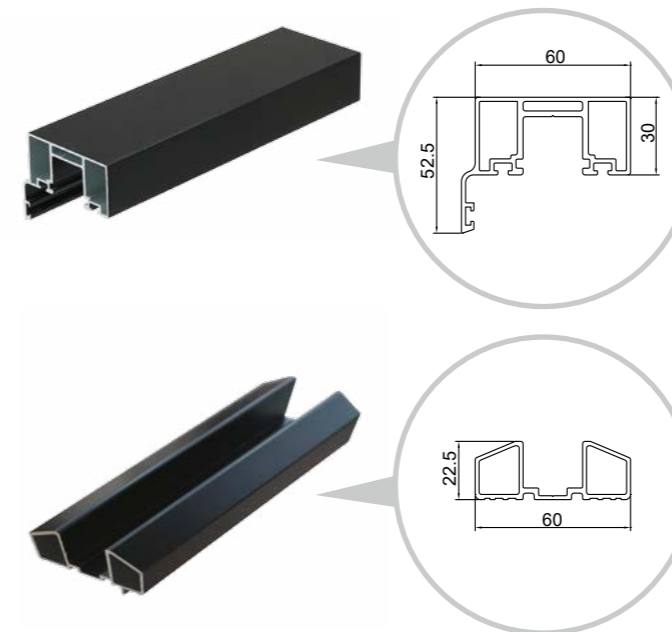
## General Type Upper/Lower Rail Profile Image and Detailed View







Slim Lower Rail Type Upper/Lower Rail Profile Image and Detailed View



## Slim Lower Rail Type

F Z - S F 5 7

Folding doors designed for housing facilities;  
Applicable to in balcony-extended apartment or houses without being buried under the floor; does not disturb people's moving with low lower rail

Model	Indoor / outdoor
Frame material	Aluminum (AL,6N01) profile
Installation space	Max. door width – 800mm, max. door height – 3000mm
Maximum number of panels	20 (right, left: 10 panels each)
Glass size	5mm, 8mm, 10mm, 12mm, 16mm, 22mm, 24mm
Glass type	Tempered glass, transparent glass, insulated glass, etc.
Coating	Fluoresin coating (black, white, chocolate, silver, gray, others)
Effects	Windproof, soundproof, anti-dew, anti-leakage
Hardware	Upper/lower track runner, standard smart handle, simultaneous upper and lower tightening



▼ The highest in the Republic of Korea 8000mm



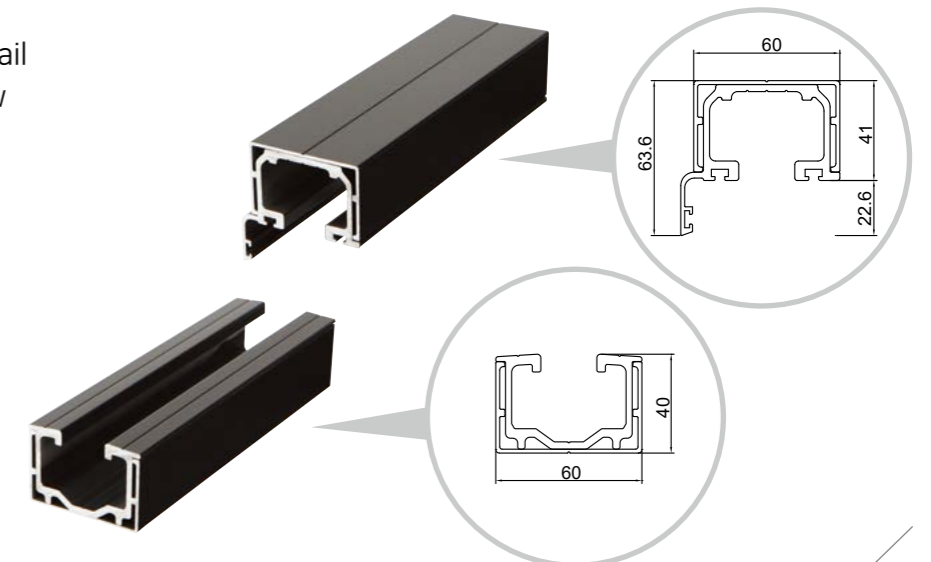
## High Load Type

F Z - S F 6 0

Supports both upper and lower parts simultaneously; applicable to unusual places which are not under standard specifications; holds the door tight without loosening by supporting both lower and upper parts simultaneously unlike a regular lower part-supporting product

Model	Indoor / outdoor
Frame material	Aluminum (AL.6N01) profile
Installation space	Max. door width – 800mm, max. door height – 8000mm
Maximum number of panels	30 (right, left: 15 panels each)
Glass size	5mm, 8mm, 10mm, 12mm, 16mm, 22mm, 24mm
Glass type	Tempered glass, transparent glass, insulated glass, etc.
Coating	Fluororesin coating (black, white, chocolate, silver, gray, others)
Effects	Windproof, soundproof, anti-dew, anti-leakage
Hardware	Upper/lower track runner, standard smart handle, simultaneous upper and lower tightening

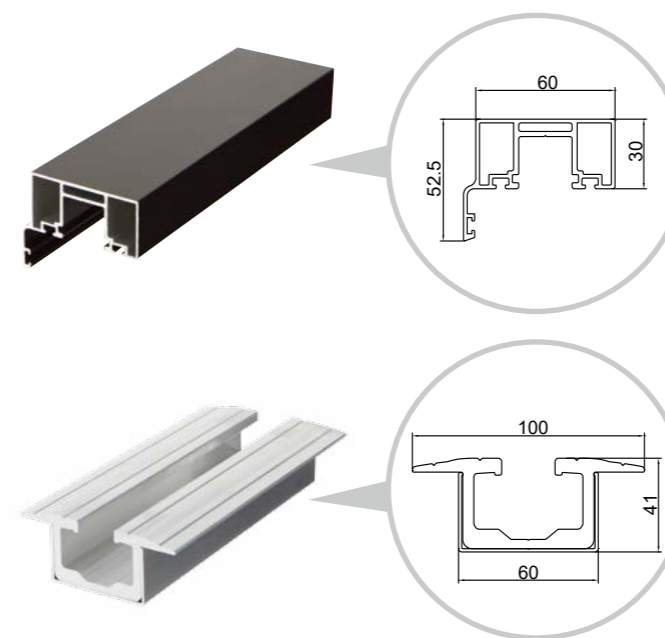
### High Load Type Upper/Lower Rail Profile Image and Detailed View







Auto Body Shop Only Upper/Lower Rail Profile Image and Detailed View



## Auto Body Shop Only

F Z - S F 6 5

Applied to the automobile lower rail (high-strength aluminum alloy 6N01); rail is strong enough to stand vehicle and heavy equipment (Good for an auto body shop/factory entry door)

Model	Indoor / outdoor
Frame material	Aluminum (AL,6N01) profile
Installation space	Max. door width – 800mm, max. door height – 6000mm
Maximum number of panels	30 (right, left: 15 panels each)
Glass size	5mm, 8mm, 10mm, 12mm, 16mm, 22mm, 24mm
Glass type	Tempered glass, transparent glass, insulated glass, etc.
Coating	Fluoresin coating (black, white, chocolate, silver, gray, others)
Effects	Windproof, soundproof, anti-dew, anti-leakage
Hardware	Upper/lower track runner, standard smart handle, simultaneous upper and lower tightening





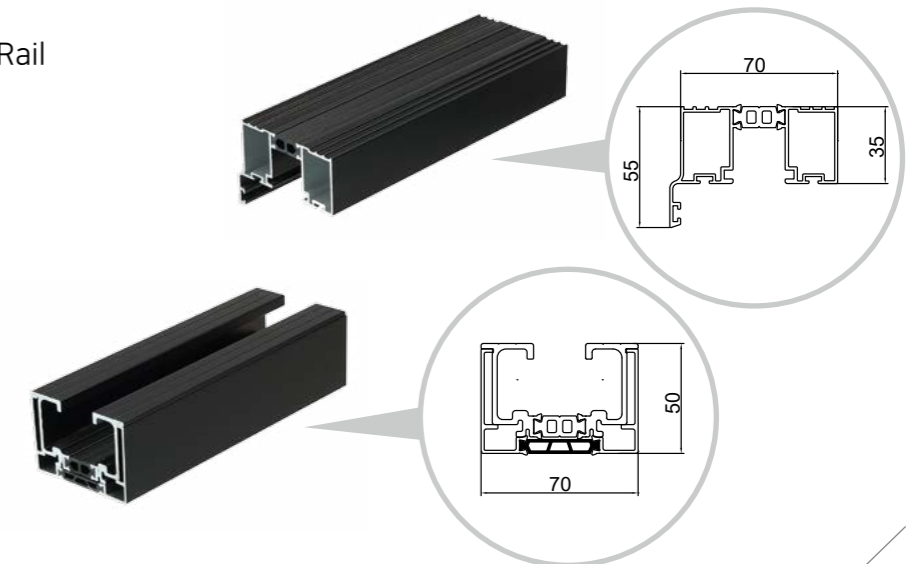
# Insulated Folding

F Z P - S F 7 0

An insulated anti-dew folding door which reduces energy loss caused by the thermal conductivity of aluminum and prevents condensation with polyamide  
**Air tightness: Class 1**, Heat transmittance 1,400  
 A product made of 24T insulated glass with great insulated, soundproof and windproof effects

Model	Indoor / outdoor
Frame material	Aluminum (AL,6N01) profile
Installation space	Max. door width – 800mm, max. door height – 6000mm
Maximum number of panels	30 (right, left: 15 panels each)
Glass size	24mm~35mm
Glass type	Tempered glass, transparent glass, insulated glass, low-E glass, etc.
Coating	Fluororesin coating (black, white, chocolate, silver, gray, others)
Effects	Windproof, soundproof, anti-dew, anti-leakage
Hardware	Upper/lower track runner, standard smart handle, simultaneous upper and lower tightening

## Insulated Folding Upper/Lower Rail Profile Image and Detailed View







### Wood Color Chip



Base Color 13F29



## Fixed Door

A fixed door designed for easy space division and great view

## Wood Folding

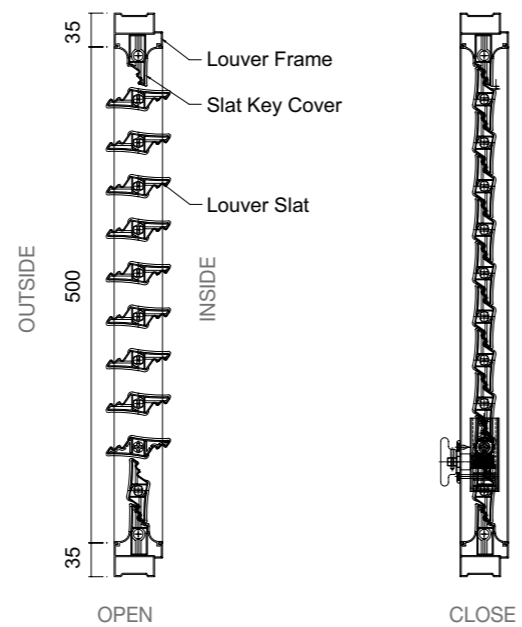
A thermally patterned aluminum folding door in wood color. Installable indoor and outdoor with great weather-proof and corrosion-resistant effects.







OPEN → CLOSE



# Louver Folding

F Z - S L 5 0

A folding door with the advantages of louver;  
 blocks UV rays and direct sunlight;  
 easily ventilated during winter or rain even without opening the door  
 Able to adjust the angle precisely; reduces indoor heat loss and saves energy

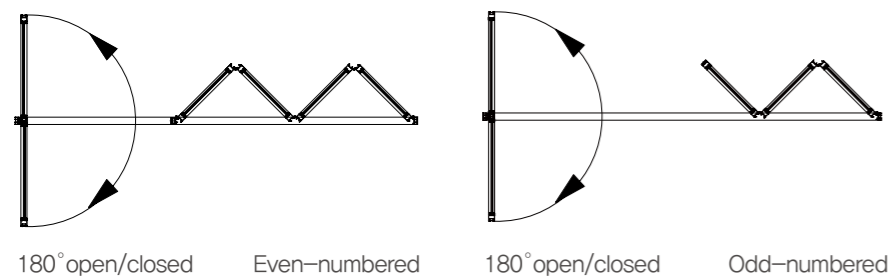
# Spendor

A folding door with visual effects of interior design; preferred among young ladies

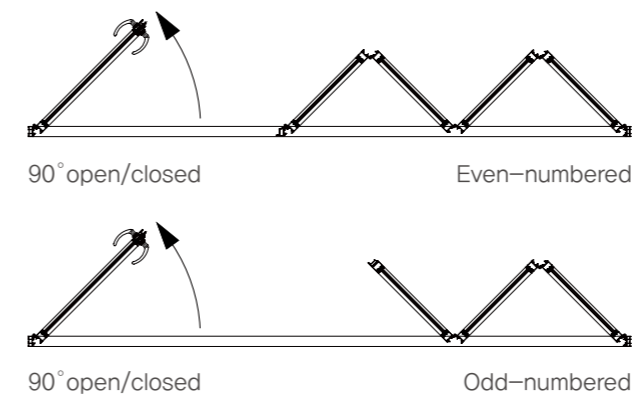




Hinge door (main door) applications



Mortise lock (main door) applications



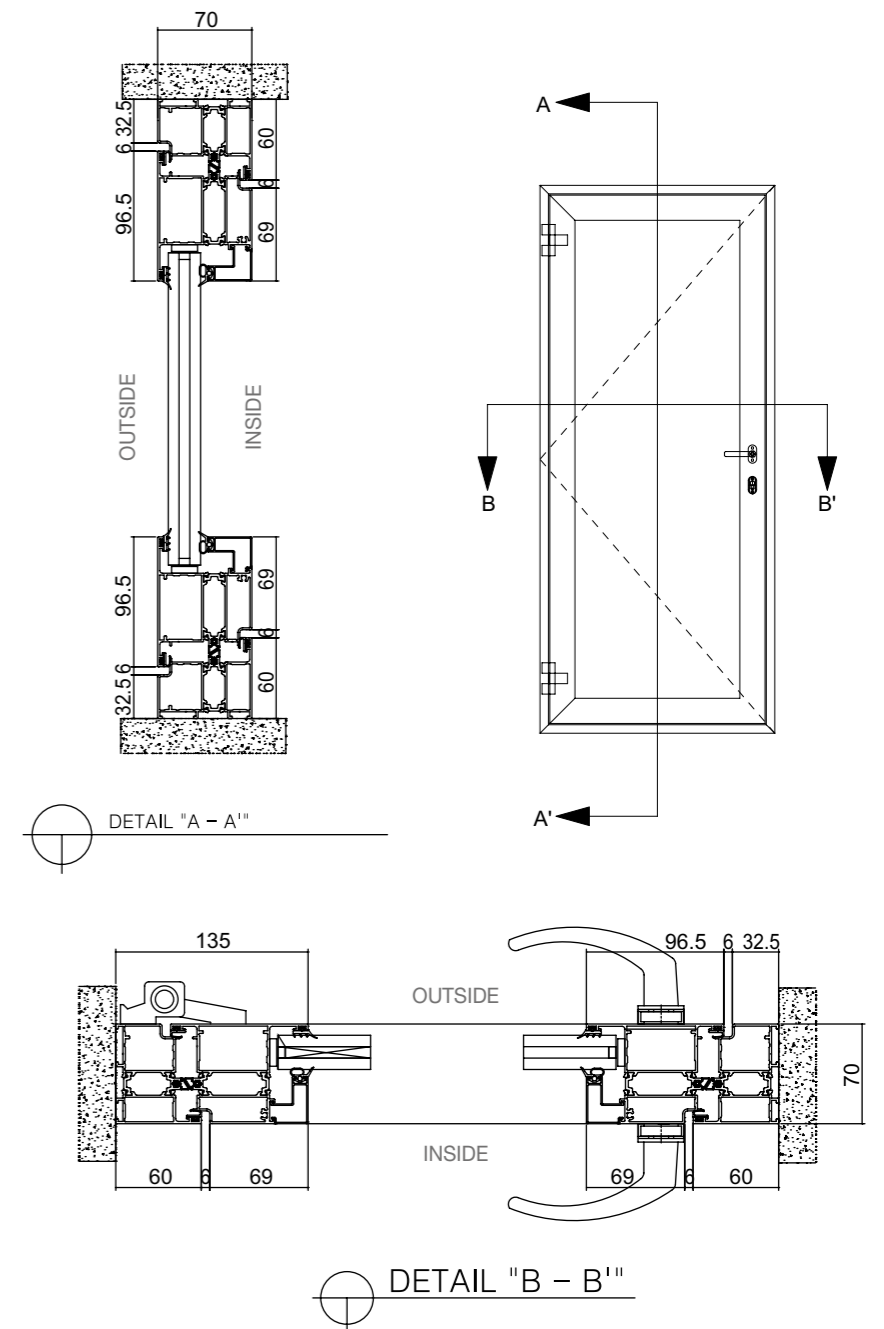
## Hinge Door

An entry door which swings up to a 180 degree; compatible with a folding door; able to open and close the entire door; lockable

## Mortise Lock Door

An entry door which swings up to a 90 degree in one direction only; compatible with hinge and mortise lock doors; able to open and close the entire door; lockable





# System Door

## FZ - SD 70

An entry door for housing and commercial facilities; great insulation and airtightness with the use of system polyamide

Model	Indoor / outdoor
Frame material	Aluminum (AL6N01) profile
Insulating material	Polyamide
Glass size	24mm~35mm
Glass type	Tempered glass, transparent glass, insulated glass, low-E glass, etc.
Coating	Fluoresin coating (black, white, chocolate, silver, gray, others)
Effects	Windproof, soundproof, anti-dew, anti-leakage



# Current Door Frame-based Folding Door

Forget the old routine – 'remove chassis and then install folding doors'. Fascinating interior design and great finish as well! This door is designed for those who want some folding doors only, not overall remodeling; effective construction skipping removal and other unnecessary processes (Good for occupied houses)

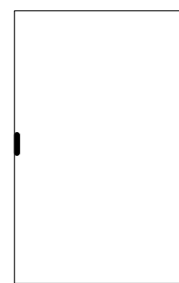


# Sliding Door

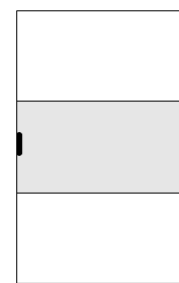
A slim sliding door which partitions space; offers a great open view and free to choose patterns and sliding glass; fascinating interior design added to housing space



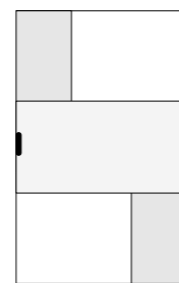
## Sliding Door Partition Dividing



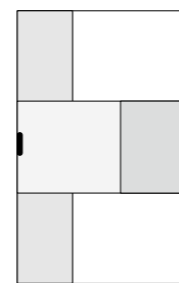
FZSD-D01



FZSD-D02



FZSD-D03



FZSD-D04

# Turning Door

Open/closed in both directions; auto-closing; great open view (95%); efficient use of space; safety damper  
Aluminum frame + interior film wrapping (Free to choose diverse colors)



## 1 Safety Damper Patented

The door is being closed smoothly and prevents finger trap injuries.



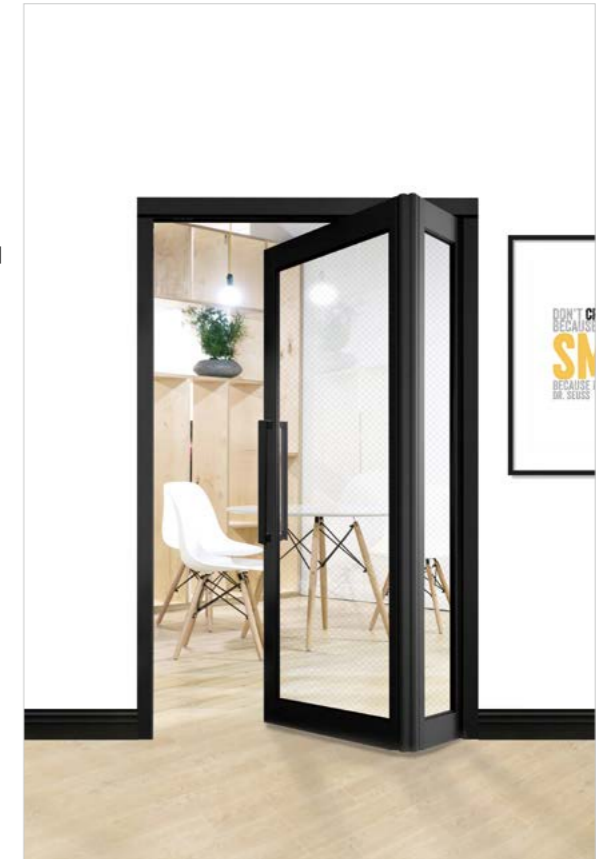
## 2 Safety Gear

The gear is designed to rotate in both directions for safe and smooth opening/closing.



## 3 Auto-closing Hinge

The door can be easily opened and closed since it is automatically returned to the closed position by little force.



# Asymmetric Door (Pair Door)

Open/closed in both directions; auto-closing; efficient use of space; the other door has a lock  
Aluminum frame + interior film wrapping (Free to choose diverse colors)



## 1 Auto-closing Hinge

The door can be easily opened and closed since it is automatically returned to the closed position by little force.



## 2 Door Lock

There is a lock in the upper part of the other door. During ordinary time, only one door is used. If necessary, both doors are operated.



## 3 Door Control

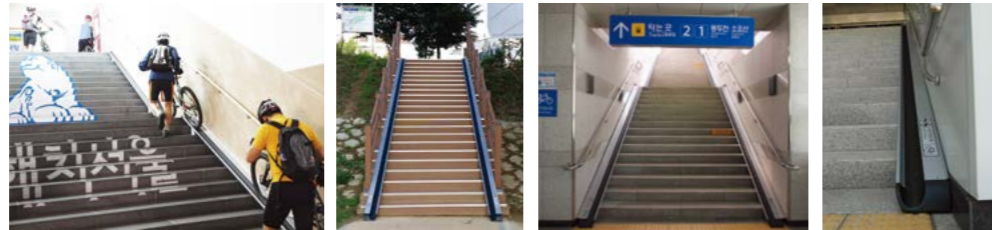
There is a magnet inside the door hinge, making both doors well closed.





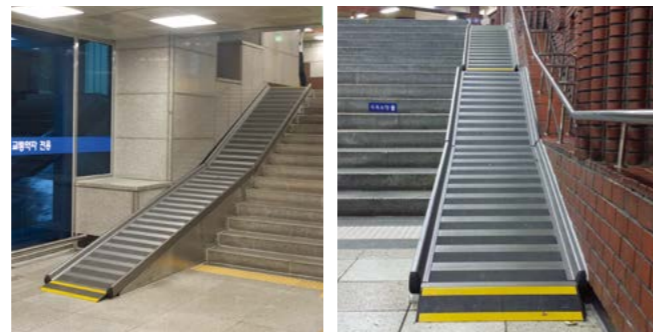
# Bike Pullway

It is a modular bike pullway which can be installed at any stairs in different width and height. As a prefabricated extruded product, it has made up for the weakness of conventional products. This product also minimized risk factors, skipping welding and grinding processes, and it can be installed quickly. With easy repair and maintenance, furthermore, it can reduce costs. With ergonomic design, it was honored to receive a prize at Good Design and the world's top three design awards: Red Dot Design Award, iF Design Award, IDEA Design Award. With excellence in quality, it's been provided to public organizations across the country such as railway/subway operating agencies (e.g., KORAIL, Seoul Metro, Incheon/Daegu/Gwangju Subway, etc.), 6 metropolitan cities (e.g., Seoul, etc.), Sejong Special Self-governing City and Jeju Special Self-governing Province.



# Multipurpose Ramp

This multipurpose ramp is easily assembled and installed at any places such as slope and uneven site for an easy pass of wheelchairs, strollers and luggage bags. Made of high-strength aluminum, it is highly durable. In addition, it has dramatically reduced installation costs and time, compared to conventional construction methods. The adoption of anti-slip design has increased safety. Considering esthetic aspects, it looks good in any environments. It's been installed at almost all places including KORAIL, Seoul Metro, LG-Philips LCD Paju Plant, various special schools and car display zones, proving its excellence.



## Bike Pullway Construction Performances

### Railway and Subway Stations

Seoul Station and 3 others (KORAIL Airport Railroad)  
Yongsan Station and 7 others (KORAIL Jungang Line)  
Uijeongbu Station and 10 others (KORAIL Gyeongwon Line)  
Munsan Station and 17 others (KORAIL Gyeongui Line)  
Sangbong Station and 17 others (KORAIL Gyeongchun Line)  
Songdo Station and 7 others (KORAIL Suin Line)  
Incheon City Hall Station and 18 others (Incheon Subway)  
Dongdaegu Station and 21 others (Daegu Subway)  
Samgakji Station (Seoul Metro)  
Others

### Apartment and Others

Incheon Songdo Haemoro Apartment  
Jeongseon-gun Office Building  
KT Seocho Office, Seoul  
Taeneung Rainwater Pump Station  
Junggye Jugong Apartment Complex 5  
Others

### Viaduct Bridge

### Sicheongyo Bridge (Incheon)

Gyulhyeongyo Bridge (Incheon)  
Yeonsugogogyo Bridge (Incheon)  
Soraedaegyo Bridge (Incheon)  
Seogyongogyo Bridge (Bundang)  
Bangjansan Tunnel Gogogyo Bridge (Pohang)  
Baekogyo Bridge (Gyeongsan)  
Others

### Terraced Land on the River

Seongnaecheon Stream (Seoul)  
Yangjaecheon Stream (Seoul)  
Seungjaecheon Stream (Incheon)  
Songdo Neighborhood Park Detention Basin (Incheon)  
Taehwagang River (Ulsan)  
Wangsukcheon Stream (Namyangju)  
Buyongcheon Stream (Uijeongbu)  
Bogangcheon Stream (Jeungpyeon-gun)  
Gongjicheon Stream (Chuncheon)  
Gwangjucheon Stream (Gwangju Metropolitan City)  
Pogokgyeongcheon Stream (Yongin, Gyeonggi-do)  
Others

### Plaza and Park

Chonggyecheon Plaza (Seoul Metropolitan Fa-

### ilities Management Corporation)

Gwanghwamun Plaza (Seoul Metropolitan Facilities Management Corporation)  
Hangang Park Yeouido Saetgang Pedestrian Bridge  
Prehistoric Relics Park (Bucheon, Gyeonggi-do)  
Others

### Underground Passage and Road without Separate Pedestrian Walkway

Changdong Underground Road without Separate Pedestrian Walkway (Seoul)  
Nokcheon Underground Road without Separate Pedestrian Walkway (Seoul)  
Seo-gu Office Underground Passage (Incheon)  
Yongdam Underground Passage (Incheon)  
Imae Underground Road without Separate Pedestrian Walkway (Bundang)  
Imgok Underground Passage (Anyang)  
Heungseon Underground Road without Separate Pedestrian Walkway (Uijeongbu)  
Terminal Samgeori Intersection Underground Passage (Wonju)  
Dongsin Underground Passage (Suwon)  
Suil Underground Passage (Suwon)  
Yeonghwa Underground Passage (Suwon)

### Utgeori Underground Passage (Suwon)

Hwaseong Underground Passage (Suwon)  
Gyeongsan Station Okgok Underground Road without Separate Pedestrian Walkway (Gyeongsan)  
Others

### Pedestrian Bridge

Gimpo Airport Sky Park Pedestrian Bridge  
Seongnaegyo Pedestrian Bridge (Seoul)  
Seonhak Pedestrian Bridge (Incheon)  
Cheonghak Pedestrian Bridge (Incheon)  
Juwon Pedestrian Bridge (Incheon)  
Yangji 7-gil Pedestrian Bridge (Incheon)  
Galgot Pedestrian Bridge (Osan)  
Wondong Elementary School Pedestrian Bridge (Osan)  
Songwon Pedestrian Bridge (Gumi)  
Daejam Pedestrian Bridge (Pohang)  
Yanghak Pedestrian Bridge (Pohang)  
SK View Pedestrian Bridge (Pohang)  
Gupo Intersection Pedestrian Bridge (Busan)  
Gyeongsan Station Pedestrian Bridge (Gyeongsan)  
KYUNGIL University Pedestrian Bridge (Gyeongsan)  
Others

# Sponsorship





# Portfolio





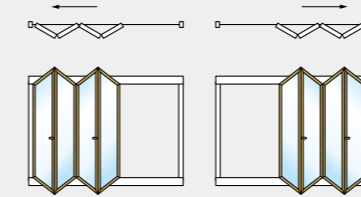
# Portfolio



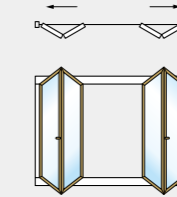
# Folding Type

## 4-panel Bifold Door

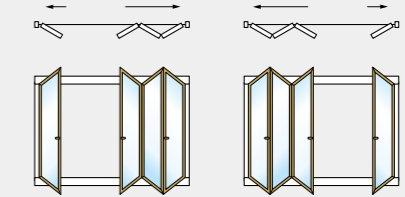
All panels to the side



Panels to both sides (even-numbered)

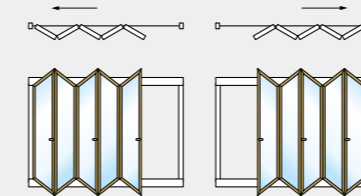


Panels to both sides (odd-numbered)

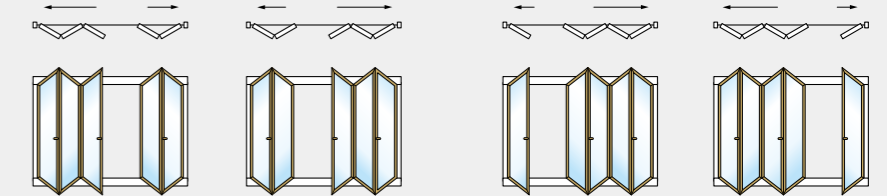


## 5-panel Bifold Door

All panels to the side

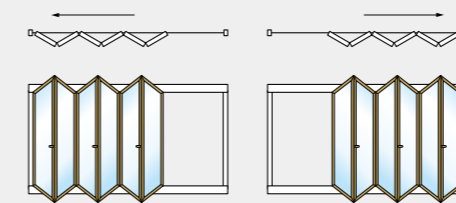


Panels to both sides (even/odd-numbered)

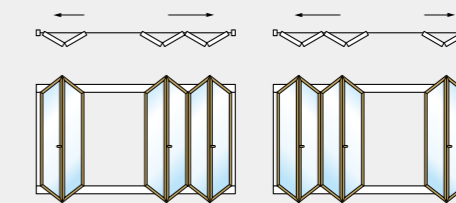


## 6-panel Bifold Door

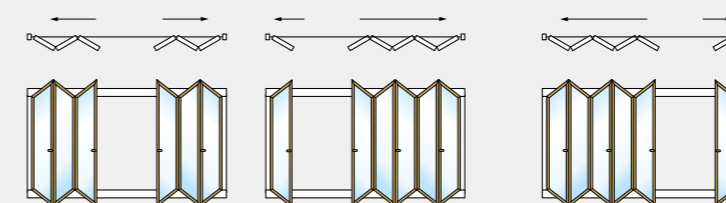
All panels to the side



Panels to both sides (even-numbered)



Panels to both sides (odd-numbered)





# Color Sample

※ Please note that actual color may differ from the sample displayed herein. Use the color chart for reference only.

## Base Color



## Sample



## Sample

