

*Need the best box?
Find the best blade!*

Ever strong blade

SS Power Knife



Beyond the limits of material

www.borimtech.net / borimtech@hanmail.net

BORIM TECH Co., Inc.

44-15, Eunbong-ro 105, Namdong-gu, Incheon, Republic of Korea

T. +82-32-821-2325~6 F. +82-32-821-2329

E-mail. borimtech@hanmail.net

www.borimtech.net



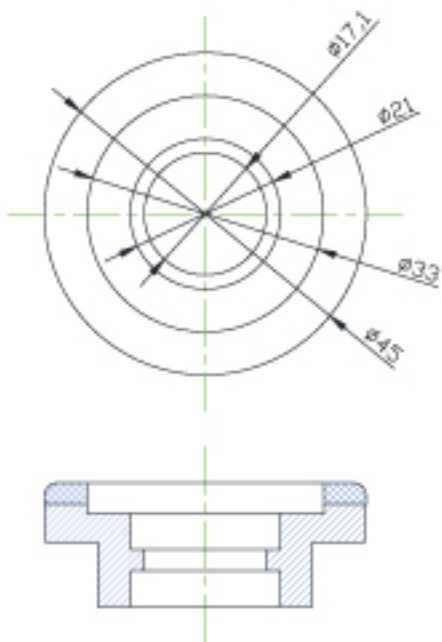
Beyond the limits of material

03. Specifications

Want to maintain slitter knives sharp always?
BORIM TECH diamond wheel is a must.

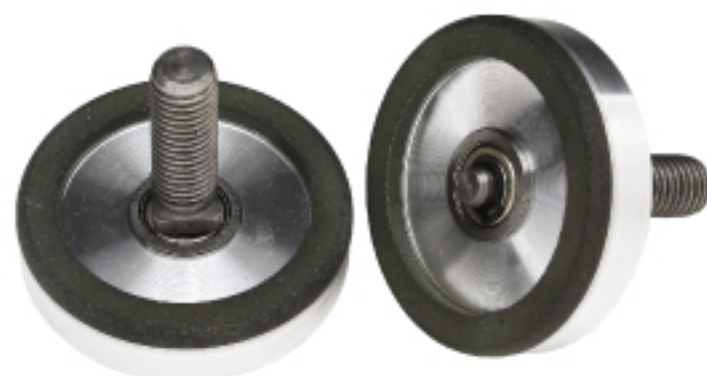
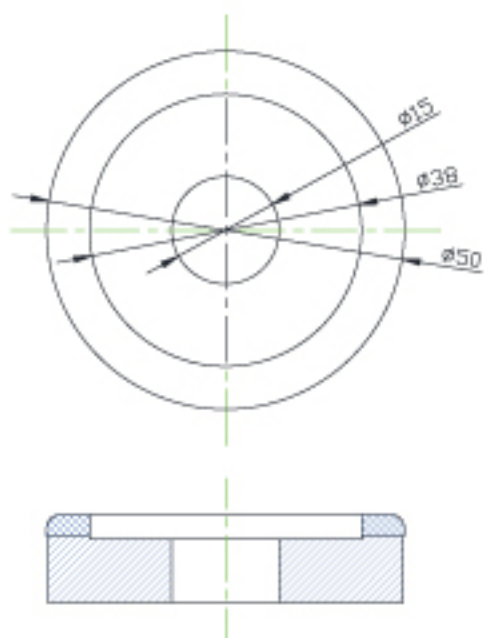
Diamond Wheel Specifications

NO1 D/W(KUNWOO)



Outside diameter (φ)	45
Inside diameter(φ)	21(17.1)
Thickness(t)	17.35
D/W specification	45×6×3
Bearing NO	6801
Knife type	218×80×1.5/250×120×1.5

NO2 D/W(WHASEONG)

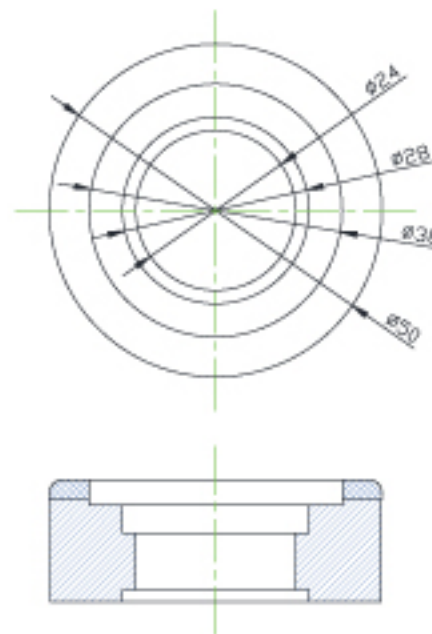


Outside diameter (φ)	50
Inside diameter(φ)	15
Thickness(t)	12.3
D/W specification	50×6×3
Bearing NO	696 flange
Knife type	250×140×1.5

03. Specifications

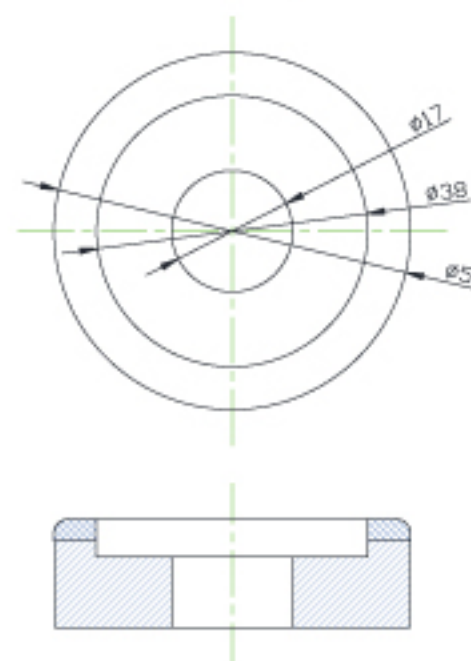
Want to maintain slitter knives sharp always?
BORIM TECH diamond wheel is a must.

NO3 D/W(MITSUBISHI)



Outside diameter (φ)	50
Inside diameter(φ)	24
Thickness(t)	18.3
D/W specification	50×6×3
Bearing NO	6901NR
Knife type	280×160.1×1.2/ 280×202×1.5

NO5 D/W(ISOWA)

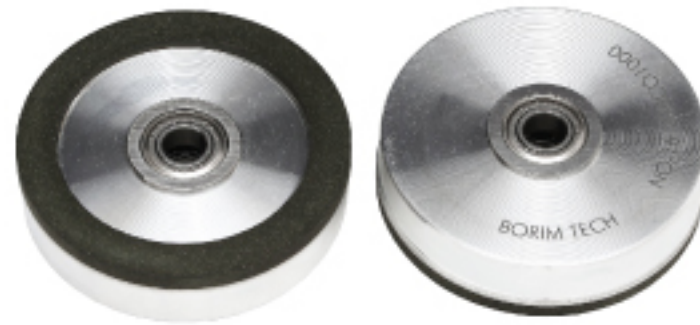
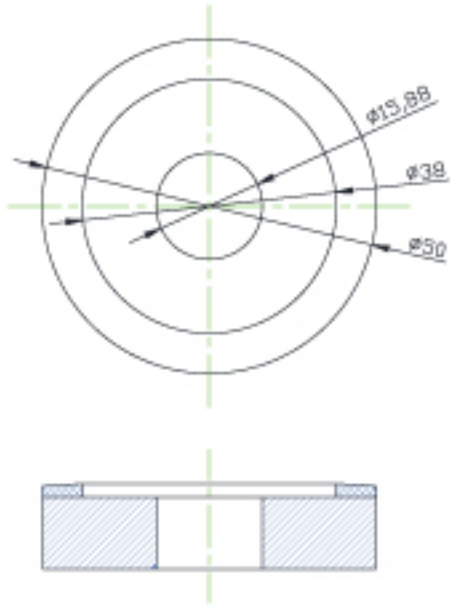


Outside diameter (φ)	50
Inside diameter(φ)	17
Thickness(t)	15.2
D/W specification	50×6×3
Bearing NO	606 flange
Knife type	260×140×1.5

03. Specifications

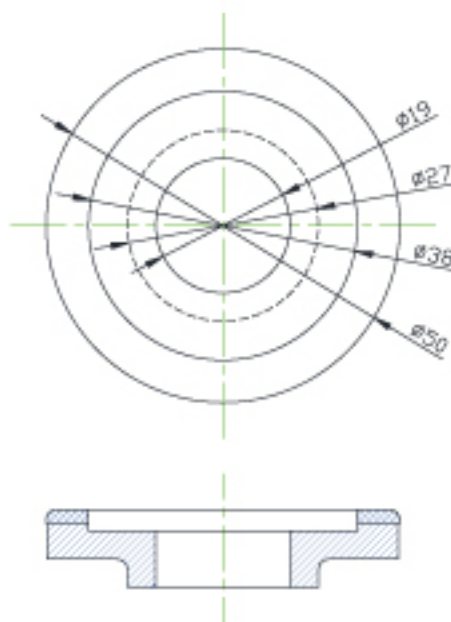
Want to maintain slitter knives sharp always?
BORIM TECH diamond wheel is a must.

NO10 D/W(MARQUIP)



Outside diameter (ϕ)	50
Inside diameter(ϕ)	15.88
Thickness(t)	12.75
D/W specification	50x6x2x4°
Bearing NO	FR4ZZ
Knife type	259x168.3x1.2

NO12 D/W(B.H.S)

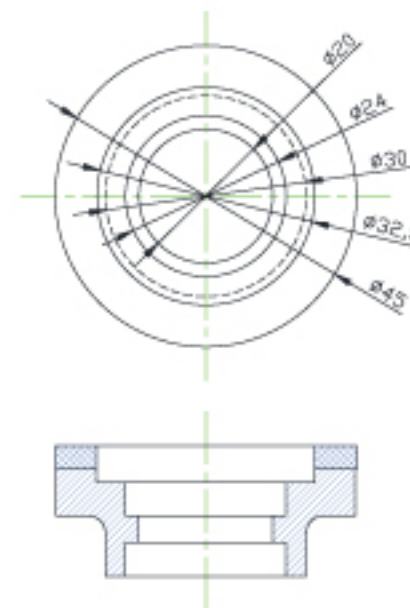


Outside diameter (ϕ)	50
Inside diameter(ϕ)	19
Thickness(t)	11
D/W specification	50x6x2 / 50x4x2
Bearing NO	6800 flange
Knife type	240x32x1.2

03. Specifications

Want to maintain slitter knives sharp always?
BORIM TECH diamond wheel is a must.

NO18 D/W(CHANGSHIN)



Outside diameter (ϕ)	45
Inside diameter(ϕ)	24(20)
Thickness(t)	19.5
D/W specification	45x6.25x3.5
Bearing NO	6802
Knife type	230x76x1.2

We have a lot of other specifications and are always ready to make products with dimensions and shapes you want.



Based on 20 years of challenging spirit that has created BORIM today from nothing, we challenge for a bigger future.

1997	04. 01	Founded.
	12	Started research on localization of corrugator slitter scorer knife.
1998	03	Completed production facilities for whole process.
	08	Succeeded on localization of slitter scorer knife.
1999	07	Accomplished 70% market share of slitter scorer knife.
2002	03	Moved main office to Namdong industrial complex.
2003	05	Established the research and development department.
2004	09	Acquired a quality guaranteed 'Q mark' authentication.
2005	03	Established CI & BI.
	04	Acquired an authentication character of 'Utummi'.
	05	Acquired ISO 9001:2000 authentication.
	12	Designated as a clean production site.
2006	07	Registered the patent number 10-0603586
2007	08	Certified as 'INNO-BIZ'
2009	10	Converted to corporate from personal
2012	01	Obtained certificate for exclusive Research and Development Department by Korea Industrial Technology Association

A company that harmonizes high-tech innovation with respect for people. That's the future to unfold for the well-prepared company, BORIM TECH.



Company name	Borim Tech Co., Inc.
CEO	Park, Joan Chul
Address	44-15, Eunbang-ro 105, Namdong-gu, Incheon, Republic of Korea
Tel	+82-32-821-2325~6, 822-2327~8
Fax	+82-31-821-2329
Products	SS power knife (slitter scorer knife), Diamond wheel
Office and factory area	Site area 1,639.60 m ² / Gross area 3,132.57 m ²
Incorporated date	1 Oct, 2009 (Founded Apr 1, 1997)

Ever strong blade
SS Power Knife



Reaching to the top of the slitter scorer knives was only possible by customers' support. We will repay customers with more advanced products.

BORIM TECH has become the No.1 company in the field of corrugator slitter scorer knife in Korea through the commitment of the unlimited research investment and the continuous improvement in quality.

SS Power Knife, the best outcome by efforts without compromise on quality.
Reasonable price efforts to supply more excellent quality products.
Maintenance policy that actively responds to customers' requirements when needed.

We will do our best to become the comprehensive solution company of carbide materials with diversified and competitive items as we have devoted ourselves to the localization of the slitter scorer knife which was dependent only on imports.

In addition, based on the technology of the domestic leader company of scorer knife and standing on the challenging spirit, we will continue our efforts to be recognized in the global market.

Thank you.

Park, Joon-Chul
President, CEO



Ever strong blade
SS Power Knife



Product Overview

SS Power Knife, a brand of BORIM TECH's slitter scorer knives, is used for corrugated cardboard cutting. The brand has almost 90% market share in Korea. Since the slitter scorer knives are made using different compound metal, it is needed advanced technology and manufacturing knowhow if you want to make high quality products.

What make us different from the rest is that we have gone through extensive research and development to overcome technical difficulties when manufacturing so that we succeeded making one of a kind knives which are extremely durable.

SS Power Knife, No. 1 in Korea, is now heading for worldwide customers.

Product Features

- Outstanding cutting power
- Precision cutting
- Extreme durability
- Innovative gloss processing technology
- Variety of custom designs and modifications to fit your needs

Ever strong blade
SS Power Knife

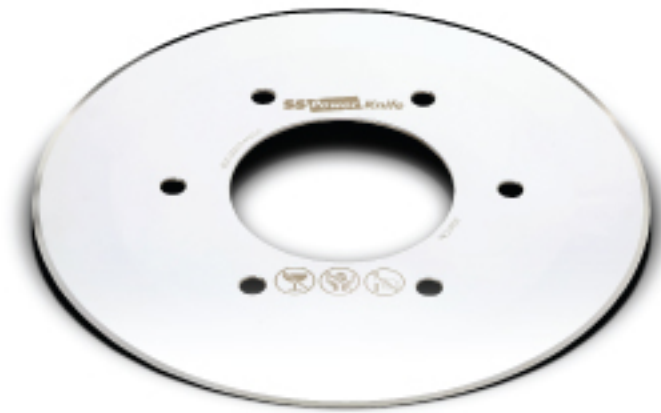
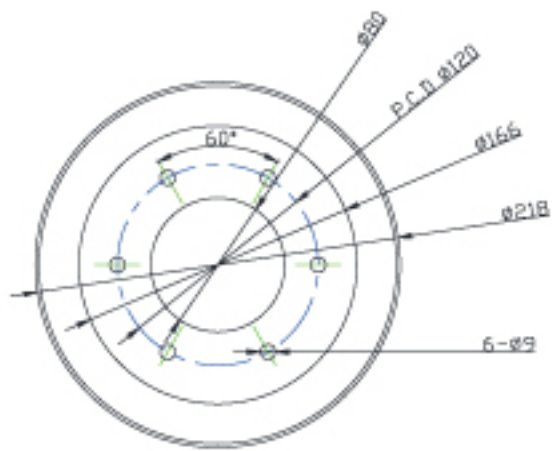
Overwhelming performance in cutting power and durability.

Cardboard cutting circular blade "SS Power Knife" is a synonym for slitter scorer knife with excellent power cutting. It has outstanding durability due to special high-gloss surface treatment and keeps the best condition of the cutting surface for a long time.

It is helping to improve the productivity of the cardboard box manufacturing industry by various specifications, rapid manufacturing and in-time delivery.

SS Power Knife Specifications

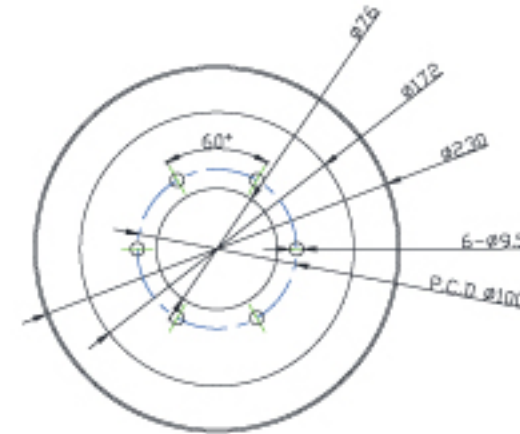
▪ 218 x 80 x 1.5



Outside diameter(φ)	218	Double angle diameter(φ)	166
Inside diameter(φ)	80	Hole(φ)	6Hole - 9
Thickness(t)	1.5	D/W type	NO1(KUNWOO)

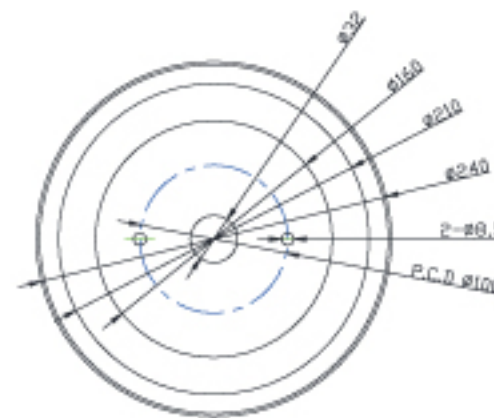
Ever strong blade
SS Power Knife

▪ 230 x 76 x 1.2

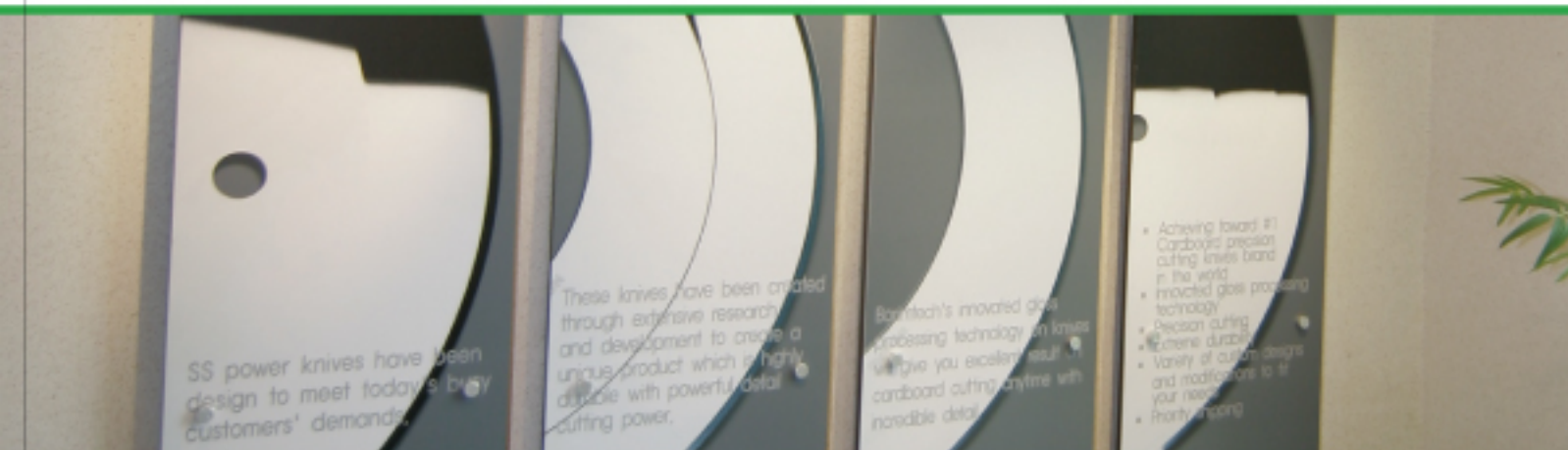


Outside diameter(φ)	230	Double angle diameter(φ)	172
Inside diameter(φ)	76	Hole(φ)	6Hole - 9.5 / 4Hole-9.5
Thickness(t)	1.2	D/W type	NO18(CHANGSHIN)

▪ 240 x 32 x 1.2

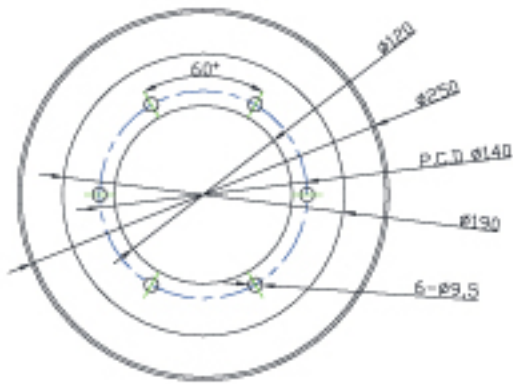


Outside diameter(φ)	240	Double angle diameter(φ)	160 / 210
Inside diameter(φ)	32	Hole(φ)	2Hole - 8.5
Thickness(t)	1.2	D/W type	NO12(B.H.S)



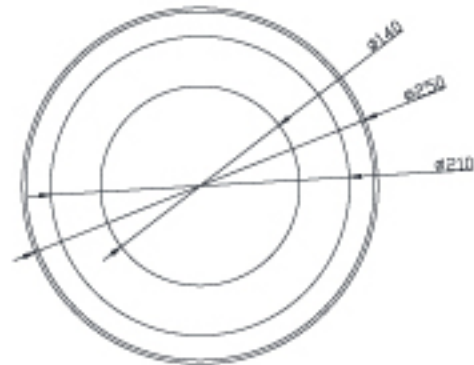
Ever strong blade
SS Power Knife

■ 250 x 120 x 1.4



Outside diameter(φ)	250	Double angle diameter(φ)	190
Inside diameter(φ)	120	Hole(φ)	6Hole - 9.5
Thickness(t)	1.4	D/W type	NO1(KUNWOO)

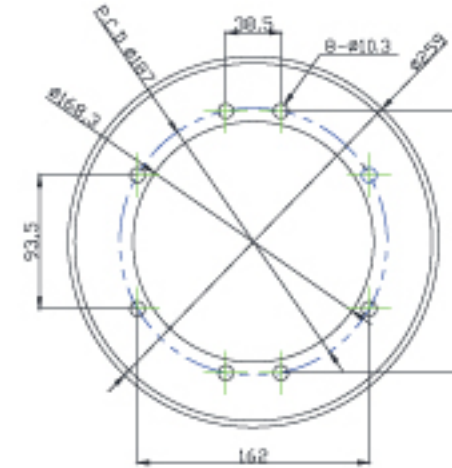
■ 250 x 140 x 1.5



Outside diameter(φ)	250	Double angle diameter(φ)	210
Inside diameter(φ)	140	Hole(φ)	No hole / 4Hole - 9 / 6홀-9
Thickness(t)	1.5	D/W type	NO2(WHASEONG)

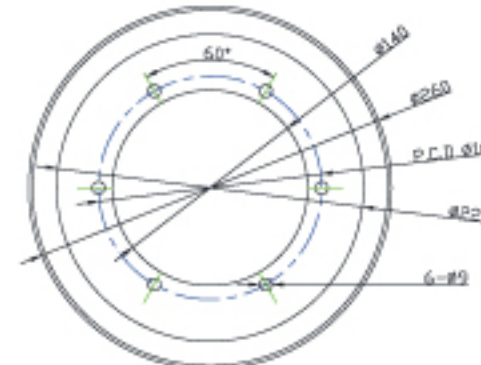
Ever strong blade
SS Power Knife

■ 259 x 168.3 x 1.2



Outside diameter(φ)	259	Double angle diameter(φ)	-
Inside diameter(φ)	168.3	Hole(φ)	8Hole - 10.3
Thickness(t)	1.2	D/W type	NO10(MARQUIP)

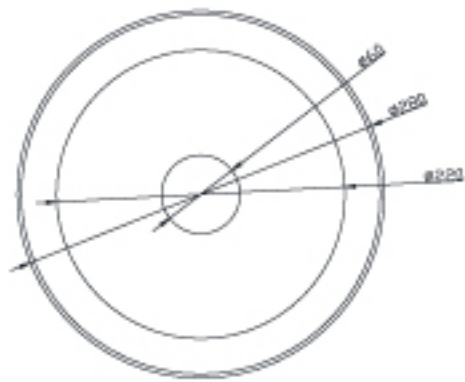
■ 260 x 140 x 1.5



Outside diameter(φ)	260	Double angle diameter(φ)	220
Inside diameter(φ)	140	Hole(φ)	No hole / 6Hole - 9
Thickness(t)	1.5	D/W type	NO5(ISOWA)

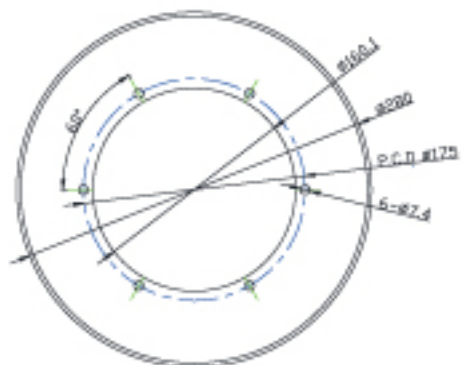
Ever strong blade
SS Power Knife

▪ 280 x 60 x 1.5



Outside diameter(φ)	280	Double angle diameter(φ)	220
Inside diameter(φ)	60	Hole(φ)	No hole / δHole - 6.5
Thickness(t)	1.5	D/W type	NO6(GREEN)

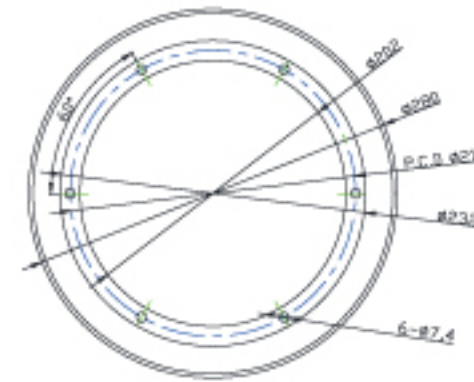
▪ 280 x 160.1 x 1.2



Outside diameter(φ)	280	Double angle diameter(φ)	-
Inside diameter(φ)	160.1	Hole(φ)	δHole - 7.4
Thickness(t)	1.2	D/W type	NO3(MITSUBISHI)

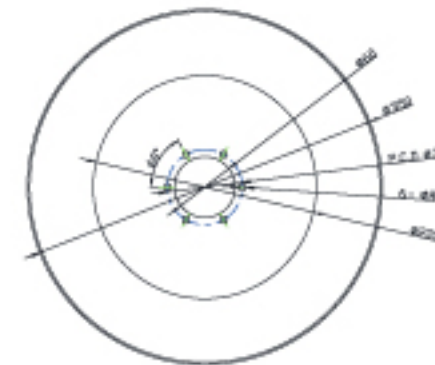
Ever strong blade
SS Power Knife

▪ 280 x 202 x 1.5



Outside diameter(φ)	280	Double angle diameter(φ)	232
Inside diameter(φ)	202	Hole(φ)	δHole - 7.4
Thickness(t)	1.5	D/W type	NO3(MITSUBISHI)

▪ 350 x 60 x 1.5



Outside diameter(φ)	350	Double angle diameter(φ)	220
Inside diameter(φ)	60	Hole(φ)	No hole / δHole - 8
Thickness(t)	1.5	D/W type	NO21(HANSUNG)

We have a lot of other specifications and are always ready to make products with dimensions and shapes you want.